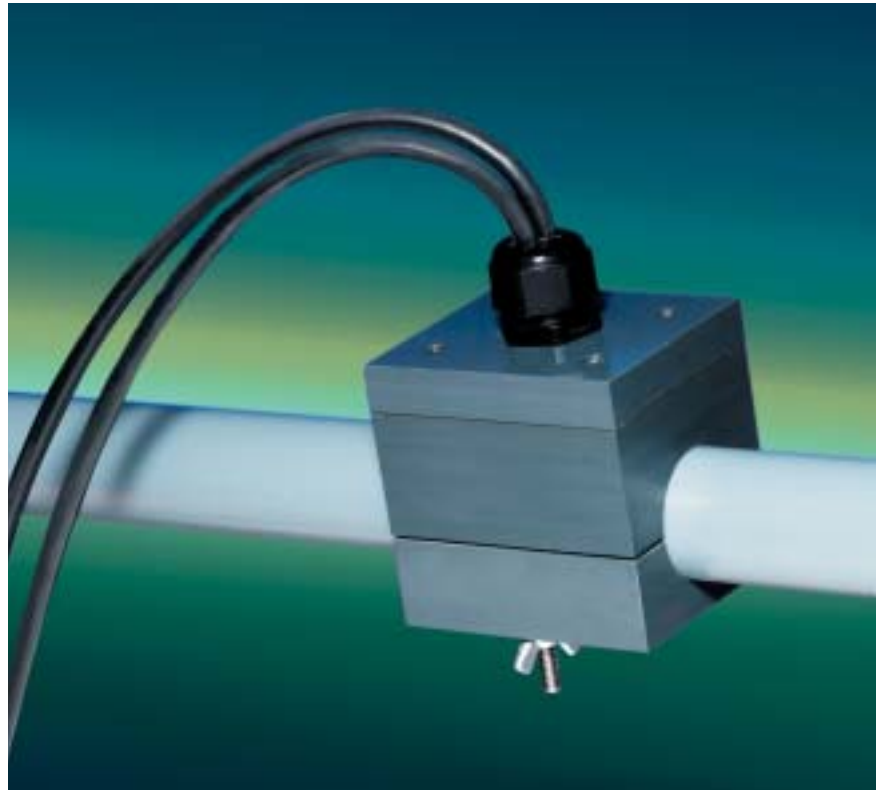


ULTRASONIC CLAMP-ON TRANSDUCER

Series DTTS ultrasonic flow transducers clamp onto the outside of existing pipe and rigid tubing and do not contact the internal liquid. This advanced product can be matched with any Dynasonics Transit Time transmitter to display instantaneous rate and accumulated flows along with a variety of optional outputs. Inherent advantages over competitive technologies include ease of installation and little or no maintenance. The DTTS transducers are available for pipe and rigid tubing diameters from 1/2-inch (12 mm) to 2-inch (50 mm).



FEATURES

- Series DTTS provides easy installation by clamping on the outside of existing piping and tubing systems.
- Non-invasive system allows solids to pass through the pipe with no effect on transducer.
- Can be used with any Dynasonics Transit Time flow meter.
- Designed to replace mechanical flow meters in applications where liquid conditions tend to damage or impede mechanical flow meter operation.
- Ideal for ultrapure and food processing applications.
- No maintenance is required.
- Fixed pipe and rigid tubing sizes from 1/2-inch (12 mm) to 2-inch (50 mm).

SPECIFICATIONS

DESCRIPTION	SPECIFICATION
Liquid Types	Most clean liquids or liquids containing moderate amounts of suspended solids or aeration.
Environment	NEMA 4x [IP 66] -40 to +185°F [-40 to +85°C]
Transducer Construction	PVC, Ultem, SS, zinc-plated steel, nylon
Transducer Type	Clamp-on, uses time of flight ultrasonic technology
Pipe Sizes	1/2" to 2" [12 mm to 50 mm] - each DTTS is suitable for one pipe size
Pipe Materials	Carbon steel, stainless steel, copper, and plastic
Transmitter Options	Pairs with Dynasonics Transit Time Systems: Series TFXD, TFXP, TFXM and TFXL

Series DTTS

PART NUMBER CONSTRUCTION

Small Pipe—1/2" to 2" [12mm to 50mm]

DTTS □□ - □□□ - □ □□□

Nominal Pipe Size

- D) 1/2 inch
- F) 3/4 inch
- G) 1 inch
- H) 1 1/2 inch
- J) 1 1/2 inch
- L) 2 inch

Pipe Type

- P) ANSI Pipe
- C) Copper Pipe
- T) Rigid Tubing

Cable Length

- 020) 20 feet [6.1 m]
- 050) 50 feet [15 m]
- 100) 100 feet [30 m]
- Maximum length:**
990 feet [297 m] in
10 ft. [3 m] increments

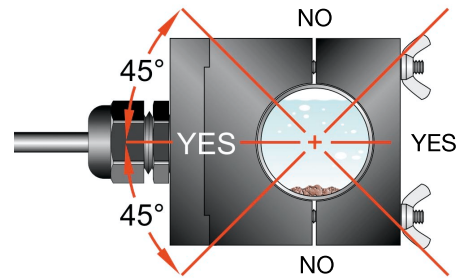
Conduit Length

- 000) 0 feet [0 m]
- 020) 20 feet [6.1 m]
- 050) 50 feet [15 m]
- 100) 100 feet [30 m]
- Maximum length:**
990 feet [297 m] in
10 ft. [3 m] increments

Conduit Type

- N) None - RG59 Cable
- A) Flexible armored

Mounting Orientation

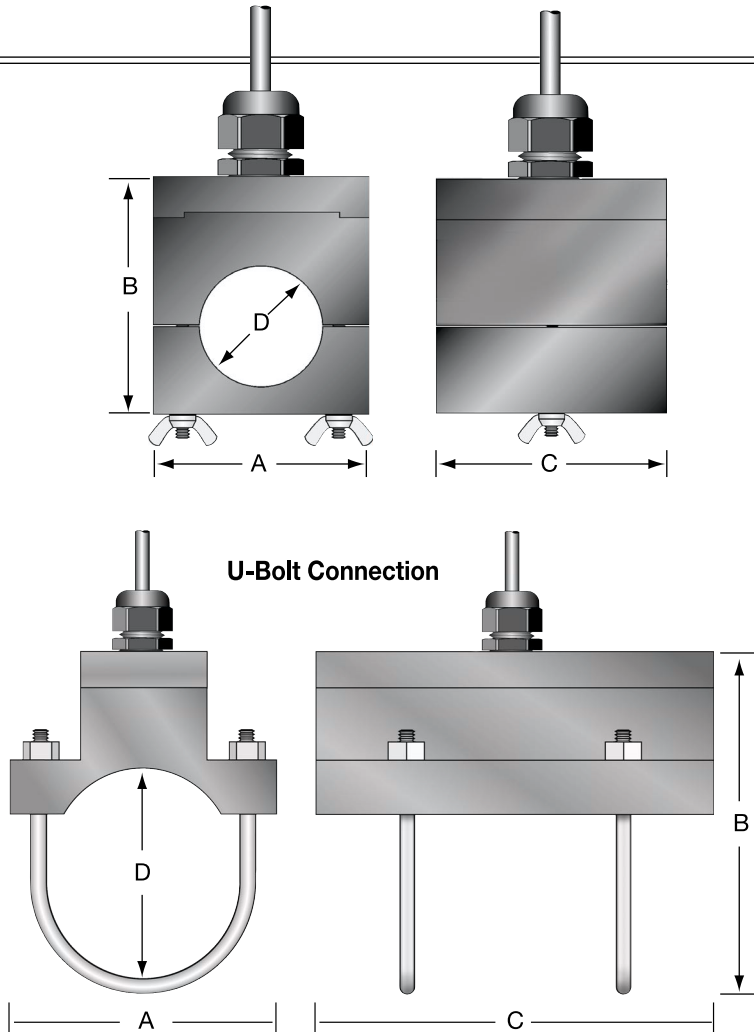


DIMENSIONAL SPECIFICATIONS

Inches (mm)

Pipe Size	Pipe Material	A	B	C	D
1/2"	ANSI	2.46 (62.5)	2.36 (59.9)	2.66 (67.6)	.840 (21.3)
	Copper	2.46 (62.5)	2.36 (59.9)	3.33 (84.6)	.625 (15.9)
	Tubing	2.46 (62.5)	2.28 (57.9)	3.33 (84.6)	.500 (12.7)
3/4"	ANSI	2.46 (62.5)	2.57 (65.3)	2.66 (67.6)	1.050 (26.7)
	Copper	2.46 (62.5)	2.50 (63.5)	3.56 (90.4)	.875 (22.2)
	Tubing	2.46 (62.5)	2.50 (63.5)	3.56 (90.4)	.750 (19.0)
1"	ANSI	2.46 (62.5)	2.92 (74.2)	2.86 (72.6)	1.315 (33.4)
	Copper	2.46 (62.5)	2.87 (72.9)	3.80 (96.5)	1.125 (28.6)
	Tubing	2.46 (62.5)	2.75 (69.9)	3.80 (96.5)	1.000 (25.4)
1-1/4"	ANSI	2.79 (70.9)	3.18 (80.8)	3.14 (79.8)	1.660 (42.2)
	Copper	2.46 (62.5)	3.00 (76.2)	4.04 (102.6)	1.375 (34.9)
	Tubing	2.46 (62.5)	3.00 (76.2)	4.04 (102.6)	1.250 (31.8)
1-1/2"	ANSI	3.02 (76.7)	3.42 (86.9)	3.33 (84.6)	1.900 (48.3)
	Copper	2.71 (68.8)	2.86 (72.6)	4.28 (108.7)	1.625 (41.3)
	Tubing	2.71 (68.8)	3.31 (84.1)	4.28 (108.7)	1.500 (38.1)
2"	ANSI	3.71 (94.2)	3.42 * (86.9)	5.50 (139.7)	2.375 * (60.3)
	Copper	3.71 (94.2)	3.38 * (85.9)	5.50 (139.7)	2.125 * (54.0)
	Tubing	3.21 (81.5)	3.85 * (98.0)	4.75 (120.7)	2.000 * (50.8)

*Varies due to U-Bolt feature



DYNASONICSTM
DIVISION OF RACINE FEDERATED INC.

8635 Washington Ave. ■ Racine, WI 53406-3738 ■ USA
Tel: 262.639.6770 800.535.3569 North America
Fax: 262.639.2267 800.732.8354 North America
www.dynasonics.com