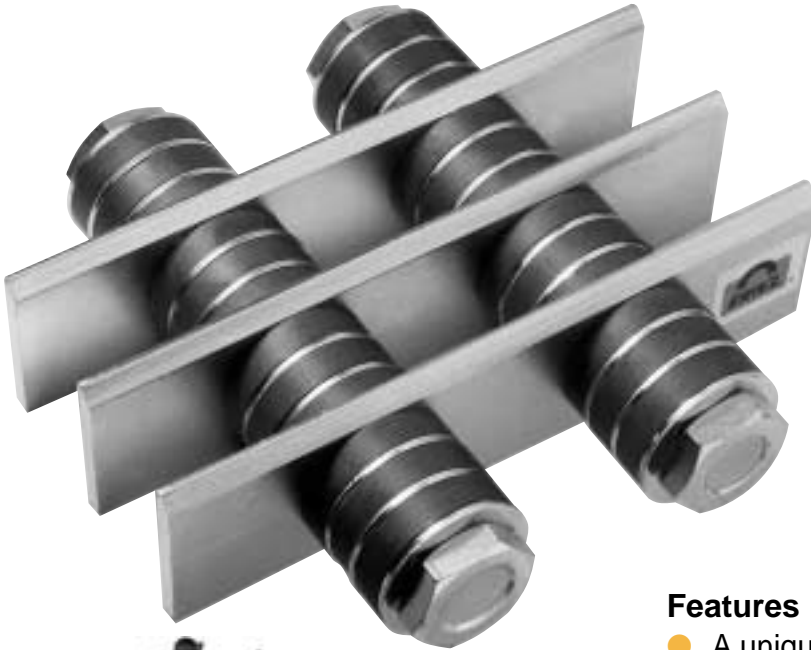


Ceramic Permanent MAGNETIC HOPPAGRID



A simple, yet effective device for removing tramp iron from free-flowing granular or powdered materials.



Applications

Predominantly used in the plastics industry to prevent damage or blockage of valuable moulding or extrusion equipment resulting from build-up of ferrous metal contamination.

Features

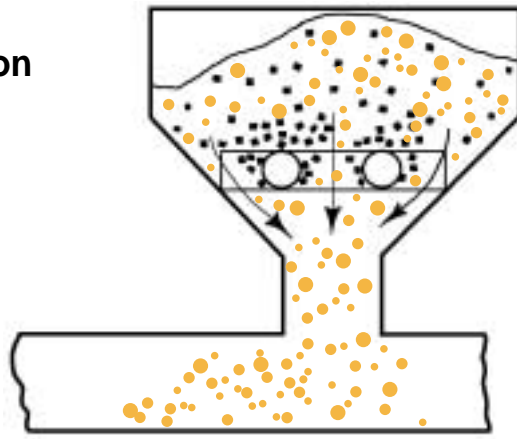
- A unique design incorporating powerful permanent magnets
- Not obstructive to material flow
- Consistent performance
- Long life
- No running costs
- Easy to install - no fixing or bolting, simply rests against walls of hopper or slots into chute
- Suitable for round and square sided hoppers
- Simple and quick to clean - remove from hopper and pick clean by hand
- Decorative chromium plating finish to poles, nuts and washers
- Low capital outlay

Benefits

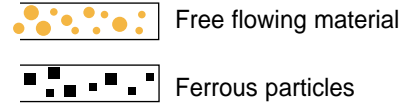
- Protection of important and valuable machinery
- Cutting machinery downtime
- Lowering the costs of reject material / product
- Improving the quality of the end product

CERAMIC PERMANENT MAGNETIC HOPPAGRID

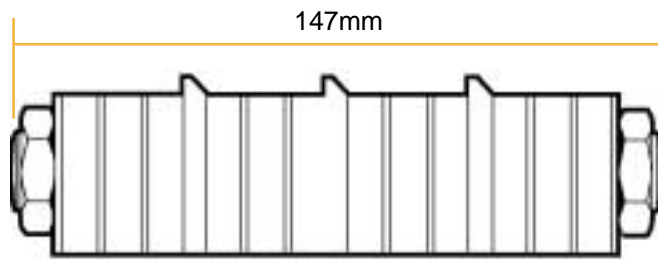
Typical Operation



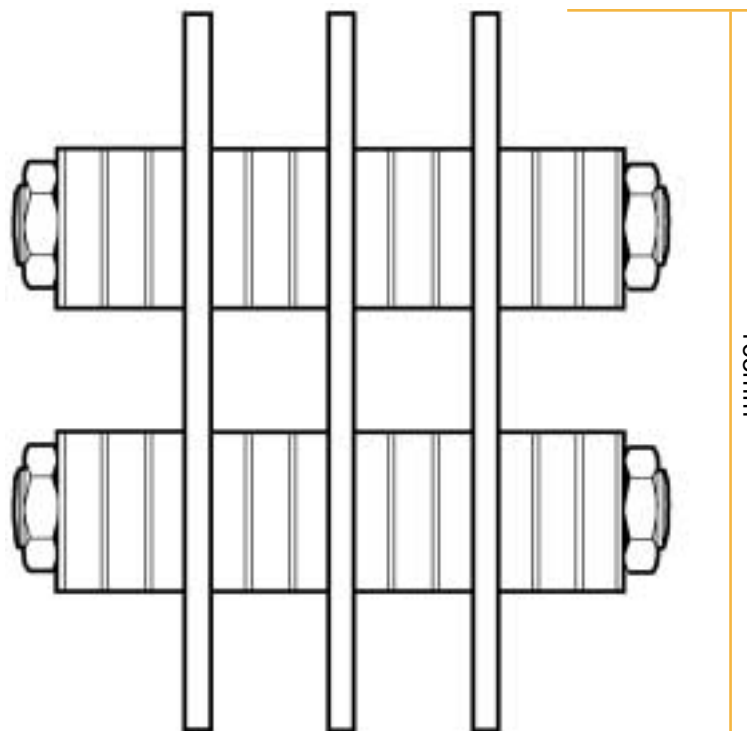
Material gravitates through the Hoppagrid where the ferrous particles are securely retained



Dimensions



Square hopper seating width
165mm
Conical hopper seating
diameter 180mm



Associated Products

- Larger sized Magnagrids
- Megastrength Rare Earth Tube/Grate Magnets
- Metal detectors and separators



ERIEZ MAGNETICS EUROPE LTD
MANUFACTURING DESIGN LABORATORY HEADQUARTERS
BEDWAS HOUSE INDUSTRIAL ESTATE
BEDWAS, CAERPHILLY, CF83 8YG UK
Telephone: 029 2086 8501 Fax: 029 2085 1314
Int Tel: +44 29 2086 8501 Int Fax: +44 29 2085 1314
E-mail: eriez@eriezeurope.co.uk
web: www.eriez.com

MANUFACTURING AFFILIATES IN: AUSTRALIA BRAZIL CANADA INDIA JAPAN MEXICO SOUTH AFRICA UNITED STATES