

PRISECTER PRV SAMPLERS AND SPLITTERS



The PRV range of Samplers and Splitters is of robust design suitable for the most arduous duties, with one moving part facilitating easy maintenance.

Suitable for vertical installation within falling streams, the PRV can be supplied for Primary Sampling or Sample Splitting duties.

Features

- Suitable for wet and dry particulate streams.
- A segment shaped cutter rotating through the stream of product acting either as a sampler with operation at pre-set time intervals or splitter where continuous cutter action will extract a fixed proportion of product as sample.
- As a sampler, travel is initiated at predetermined intervals by a timer or at a signal from other equipment. Terminated by a limit switch operated braked motor.
- Each cutter is designed to suit the particular application requirements of maximum particle size or sample increment. Increment mass is directly proportional to cutter size and rotational velocity at which it passes through the falling material. Any change in material flow rate will vary the increment taken.
- When used as a Sample Splitter the cutter rotates continuously removing a proportion of the feed governed by the selected cutter angle.

PRV SAMPLERS & SPLITTERS

Selection Details

PRV Sampler/Splitter cutter angles and split ratios are based on a minimum effective cutter aperture of 3 x the minimum particle size.

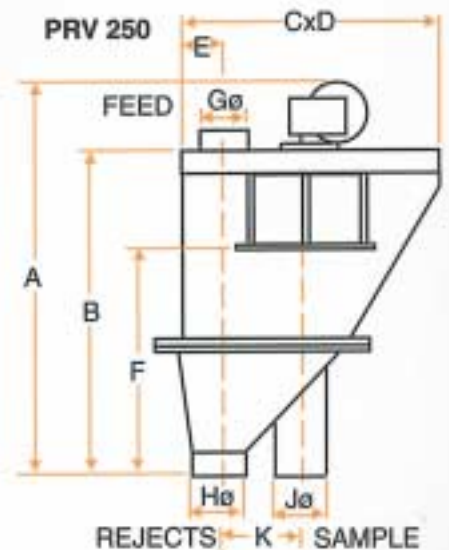
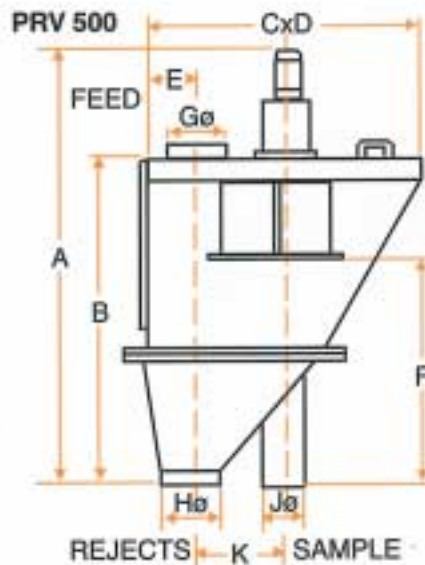
Fig. 1 shows the ranges of Sampler angles and Splitter ratios for a selection of maximum particle sizes.

Machine Size	Max. Particle	Samplers Minimum Cutter Angles (Degrees)	Splitters Maximum Split Ratios
PRV 250	30	40	1:9
	25	36	1:10
	20	30	1:12
	15	20	1:18
	10	15	1:24
	5	7.2	1:50
PRV 500	50	36	1:10
	40	30	1:12
	30	20	1:18
	25	18	1:20
	20	15	1:24
	15	12	1:30
	10	7.2	1:50
	5	5	1:72

Fig. 1

Machine Size	A	B	C	D	E	F	G	H	J	K	WL Kg.	Motor Power kW
	Sampler	Splitter										
PRV 250	825	825	680	556	100	530	102	122	122	175	76	0.15
PRV 500	1790	1725	1300	1110	205	900	220	245	168	350	340	0.37

All dimensions in mm and all selections to be confirmed by ERIEZ upon full application/duty data.



ERIEZ MAGNETICS EUROPE LIMITED

MANUFACTURING DESIGN LABORATORY HEADQUARTERS
 BEDWAS HOUSE INDUSTRIAL ESTATE
 BEDWAS, CAERPHILLY, CF83 8YG UK
 Telephone: 029 2086 8501 Fax: 029 2085 1314
 Int Tel: +44 29 2086 8501 Int Fax: +44 29 2085 1314
 E-mail: eriez@eriezeurope.co.uk www.eriez.com

MANUFACTURING AFFILIATES IN: AUSTRALIA BRAZIL CANADA INDIA JAPAN MEXICO SOUTH AFRICA USA

