

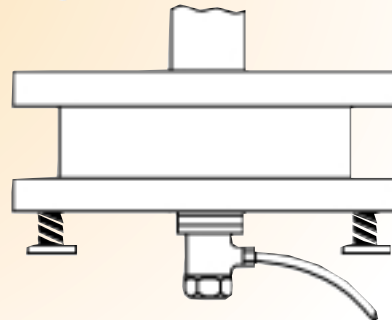
VB 303 UK

2952 PNEUMATIC VIBRATOR

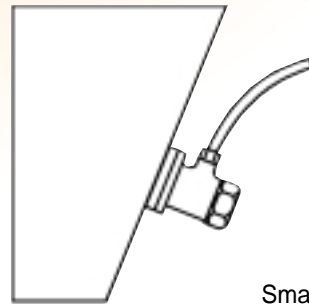


Oscillating piston type has displacement characteristics which result in high shock forces being generated on the forward stroke, within a frequency range of 30 to 68 cps.

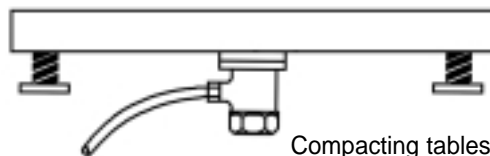
Suitable for air pressures of up to 6kg/cm² (80 psi).



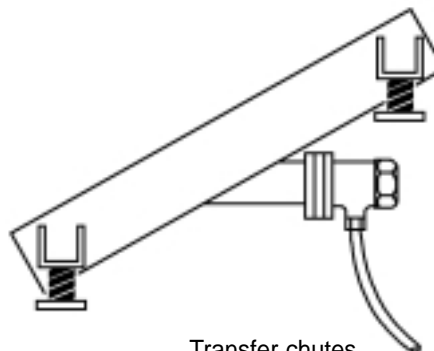
Moulding tables



Small hoppers



Compacting tables



Transfer chutes

Applications

- Small hoppers
- Grids
- Transfer chutes
- Moulding tables
- Compacting tables

Industries

- Foundries
- Agriculture
- Paper making
- Plastics
- Packaging

2952 PNEUMATIC VIBRATOR

Installation

Securing

Unit to be secured with four 12mm bolts and lock washers.

Connection

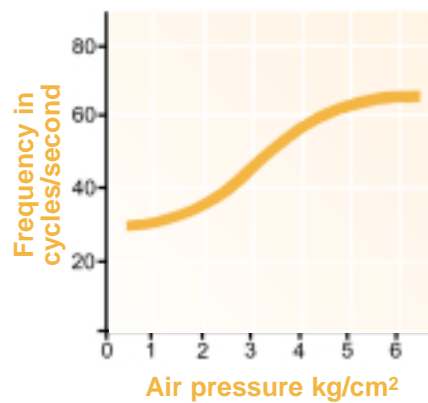
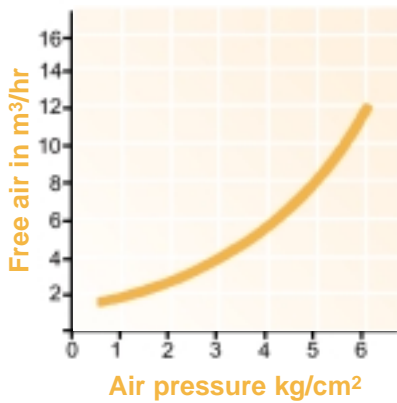
Connect lubricated air supply to inlet piece with 12mm bore flexible hose.

Starting

Air pressure from 0.35kg/cm^2 (5 psi) suddenly applied will generate auto-start. When air pressure is gradually applied, a mechanical shock is required to start.

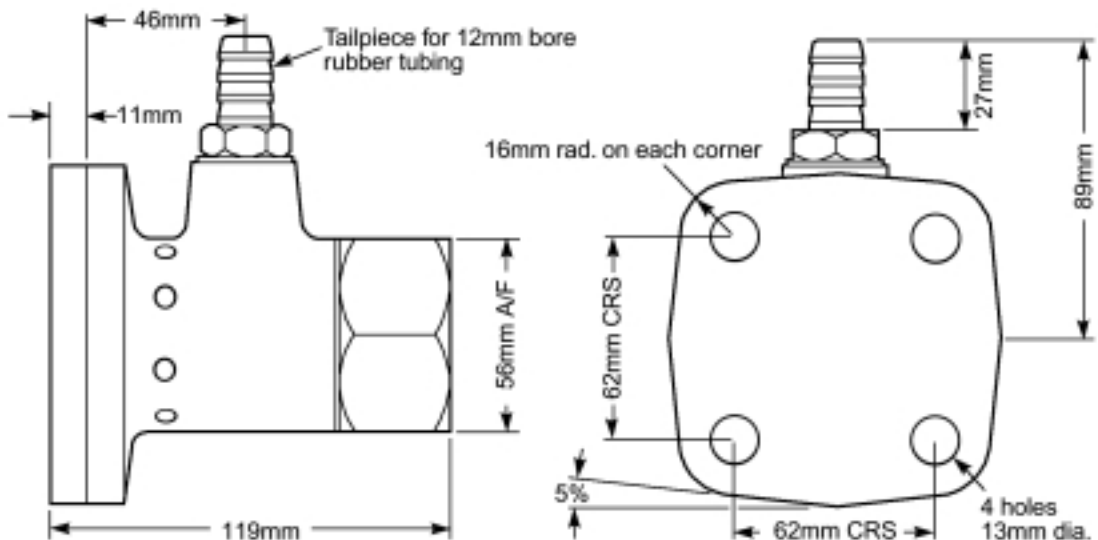


Performance data



Dimensions

Nett weight 3kg.



Eriez Magnetics Europe Limited
Manufacturing Design Laboratory Headquarters
Bedwas House Industrial Estate
Bedwas, Caerphilly, CF83 8YG UK
Telephone: 029 2086 8501 Fax: 029 2085 1314
Int Tel: +44 29 2086 8501 Int Fax: +44 29 2085 1314
E-mail: eriez@eriezeurope.co.uk
web: www.eriez.com

MANUFACTURING AFFILIATES IN: AUSTRALIA BRAZIL CANADA INDIA JAPAN MEXICO SOUTH AFRICA USA