

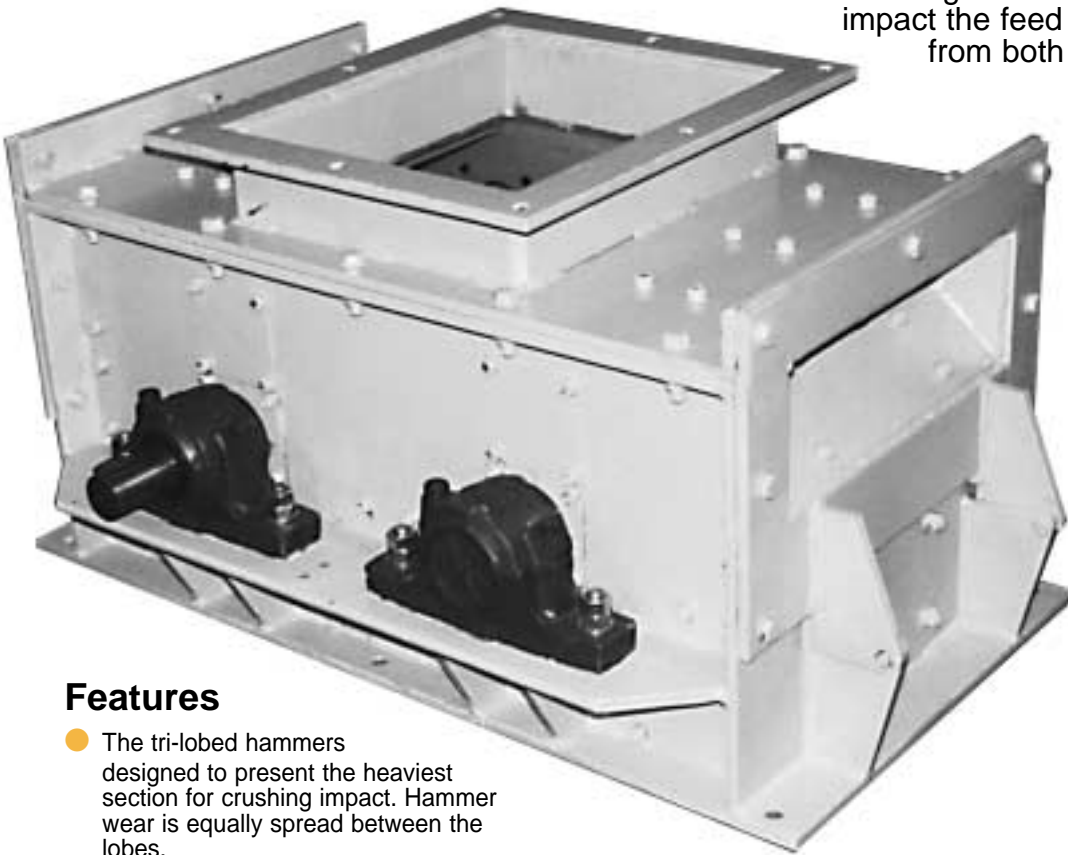
PRISECTER RH TWIN ROTOR SAMPLE CRUSHER



Due to its compact size and sympathetic design the RH Crusher is ideally suited to duties in sampling systems.

The RH Crusher reduces particle size by use of two high speed rotors each with two sets of tri-lobed hammers. The hammers break the feed lumps sufficient to pass the sizing grids fitted to the crusher base.

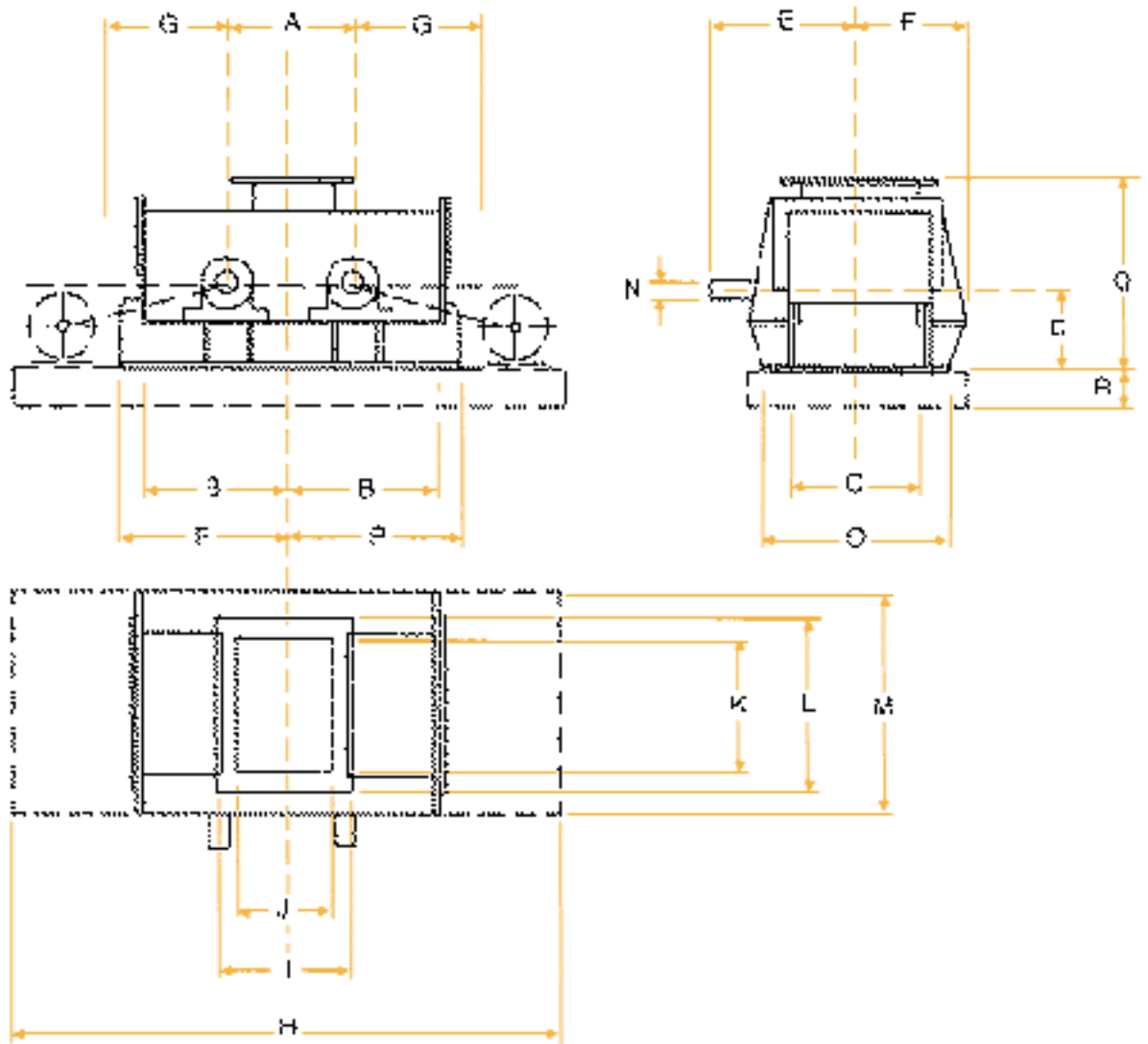
Independently driven and counter-rotating the rotors draw the feed into the crushing chamber and impact the feed lumps from both sides.



Features

- The tri-lobed hammers designed to present the heaviest section for crushing impact. Hammer wear is equally spread between the lobes.
- Because the feed is impacted from both sides in free fall by the hammers and particle against particle, the risk of blockage when crushing damp or sticky material is eliminated and full capacity is maintained.
- Hinged doors either side of the crusher which are designed to give access to the impact hammers and sizing grates during inspection and maintenance operations incorporate secondary breaker plates. The access doors can be fitted with quick release catches and safety interlocks if required.
- Compact construction.
- High crushing capacity.
- Crushes sticky material without blockage.
- Selectable aperture discharge grates.

RH TWIN ROTOR SAMPLE CRUSHER



All dimensions in mm and subject to confirmation.

	A	B	C	D	E	F	G	H	I	J	K	L	M	N	O	P	Q	R	Motors
RH5	264	307	300	152	330	260	244	1750	258	170	270	358	600	25	408	746	356	100	2x4kw
RH10	356	394	368	203	387	293	387	1800	356	230	330	457	650	40	510	470	455	100	2x4kw
RH20	610	650	685	390	628	482	435	2200	610	394	610	762	965	75	889	759	965	100	2x30kw



Eriez Magnetics Europe Limited
 Manufacturing, Design and Laboratory European Headquarters
 Bedwas House Industrial Estate,
 Bedwas, Caerphilly CF83 8YG UK
 Telephone: 029 2086 8501 Fax: 029 2085 1314
 Int Tel: +44 29 2086 8501 Int Fax: +44 29 2085 1314
 Email: eriez@eriezeurope.co.uk www.eriez.com

MANUFACTURING AFFILIATES IN AUSTRALIA BRAZIL CANADA INDIA JAPAN MEXICO SOUTH AFRICA UNITED STATES