





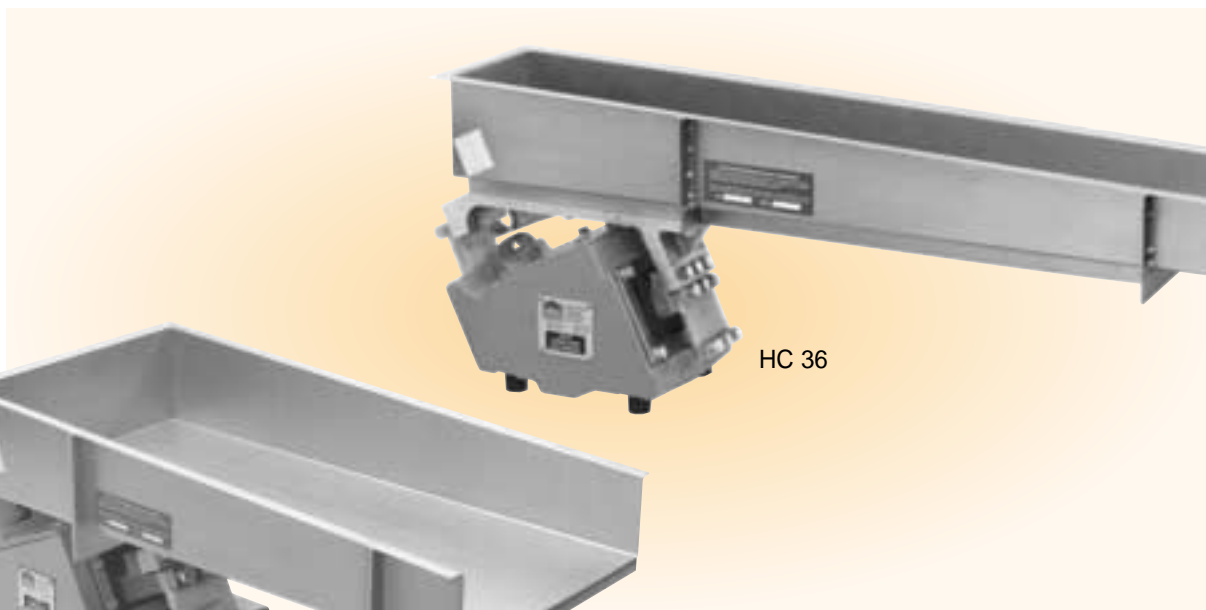
HC 26



HC 26

## Drive Specifications

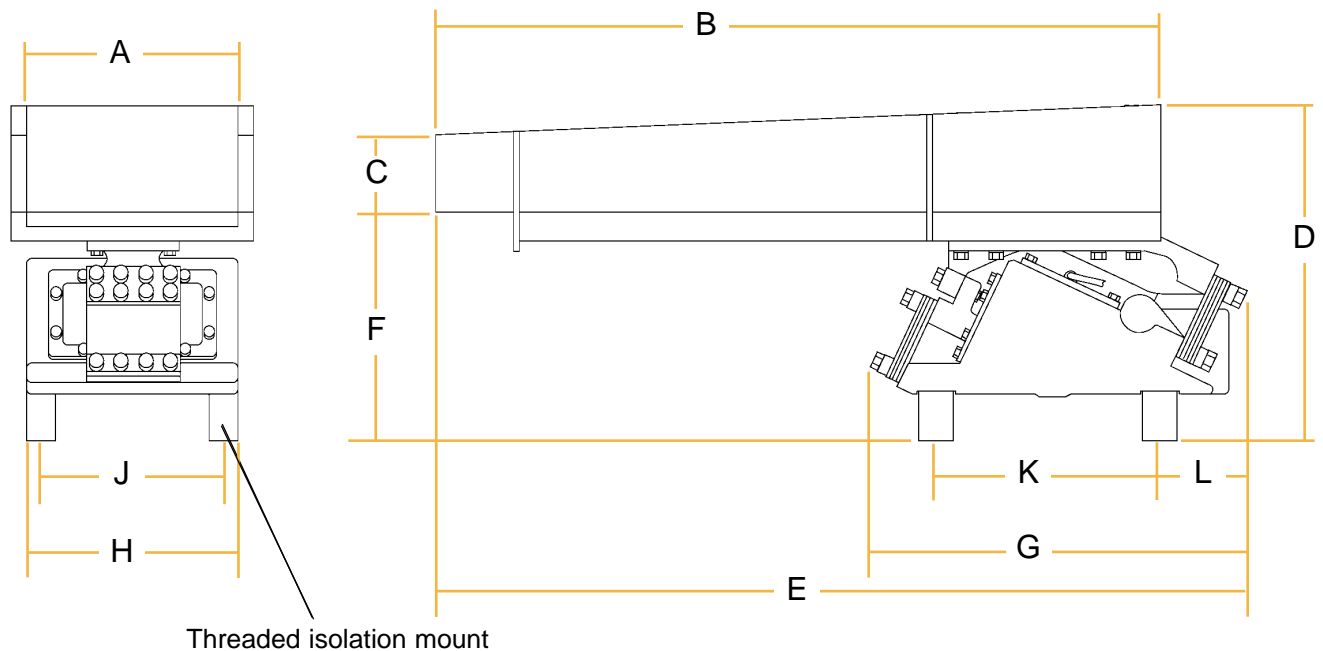
	HC 26	HC 36	HC 56	HC 66
Power Supply	110V/240V 50/60 Hz Single Phase	110V/240V 50/60 Hz Single Phase	110V/240V 50/60 Hz Single Phase	110V/240V 50/60 Hz Single Phase
Power Input	1.1Amps at 110V	2.9Amps at 110V	6.6Amps at 110V	8.25Amps at 110V
Nominal Weight	23 kg	27 kg	70 kg	109 kg



HC 36



HC 56



## Weights and Dimensions

Model	Tray	Width	Length	Tray Depth Front	Overall Dimensions		Height Under Tray	Drive Footprint		Fixing Centres			Approx Weight kg	Nominal Capacity m <sup>3</sup> /hr *
		A	B	C	D	E	F	G	H	J	K	L		
HC 26	Narrow	100	650	25	210	650	159	258	165	140 <sup>†</sup>	175	41	25.6	0.70
	Medium 1	125	550	45	226	610	159	258	165	140 <sup>†</sup>	175	41	25.7	0.88
	Medium 2	150	450	45	226	510	159	258	165	140 <sup>†</sup>	175	41	25.7	1.10
	Wide	175	350	45	226	410	159	258	165	140 <sup>†</sup>	175	41	25.7	1.24
HC 36	Narrow	150	900	76	344	925	229	372	171	127	160	134	32.1	1.57
	Medium 1	200	750	76	344	860	229	372	171	127	160	134	32.4	2.20
	Medium 2	250	600	76	344	720	229	372	171	127	160	134	32.5	2.75
	Wide	300	500	76	344	660	229	372	171	127	160	134	32.7	3.30
HC 56	Narrow	250	950	100	422	1075	276	494	241	178	262	141	84.9	5.60
	Medium 1	300	850	100	422	1025	276	494	241	178	262	141	84.5	6.72
	Medium 2	350	750	100	422	975	276	494	241	178	262	141	84.0	7.84
	Wide	400	650	100	422	906	276	494	241	178	262	141	83.5	8.96
HC 66	Narrow	300	1050	100	488	1200	348	532	311	260	330	117	128.0	8.80
	Medium 1	350	950	100	488	1150	348	532	311	260	330	117	127.8	10.27
	Medium 2	400	850	100	488	1100	348	532	311	260	330	117	127.3	11.73
	Wide	450	750	100	488	1050	348	532	311	260	330	117	126.7	13.20

Other tray designs and shapes available on request such as enclosed, tubular, vee, half round, etc.  
 Dimensions in millimetres but subject to change without notice. Request a certified drawing when ordering.

<sup>†</sup>Dimension for front is 140mm, for back is 126mm.

\*Capacities are a guide only, based on dry sand at 1.6 T/m<sup>3</sup> with 50Hz supply, specific applications should be checked with Eriez.

Also available:

- The **High Control (HC) range** of Vibratory Feeders can be supplied as multi-drive units for wider tray sizes. Enclosed tray designs are also available for dust suppression.
- The **High Speed (HS) range** of Vibratory Feeders is available for high speed applications such as packaging which require quick start/stop facility.
- The **High Deflection (HD) range** of Vibratory Feeders combines the high deflection properties of a mechanical feeder with the reliability of an electromagnetic feeder for use on low bulk density materials, such as fine powders or leafy products.

## VARIABLE CONTROLS

Phase Angle Thyristor Control Unit to suit the full range of Vibratory Feeders.

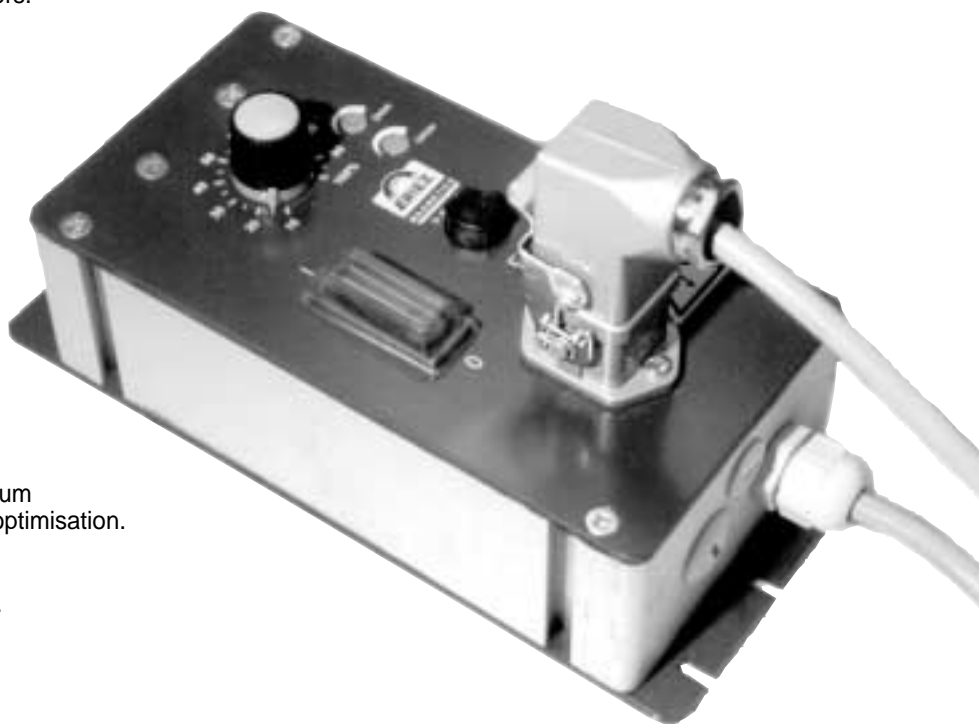
### Standard Specification

Input: Either  
110 or 240V  
50 or 60 Hz

Protection: IP54

### Features

- Mains switch.
- Internal fuse.
- Minimum and maximum trimmers for control optimisation.
- Mains cable.
- Connector for feeder.



Eriez Magnetics Europe Limited also supplies a comprehensive range of magnetic separation, metal detection and sampling equipment.

For advice on individual applications, contact our engineers at:

### Eriez Magnetics Europe Limited

European Manufacturing, Design and Test Laboratory Headquarters  
Bedwas House Industrial Estate, Bedwas, Caerphilly CF83 8YG, UK

Telephone: 029 2086 8501 Fax: 029 2085 1314  
Int Tel: +44 29 2086 8501 Int Fax: +44 29 2085 1314  
E-mail: [eriez@eriezeurope.co.uk](mailto:eriez@eriezeurope.co.uk)  
[www.eriez.com](http://www.eriez.com)

