



Specification Sheet

HML110 Mag Meter Converter

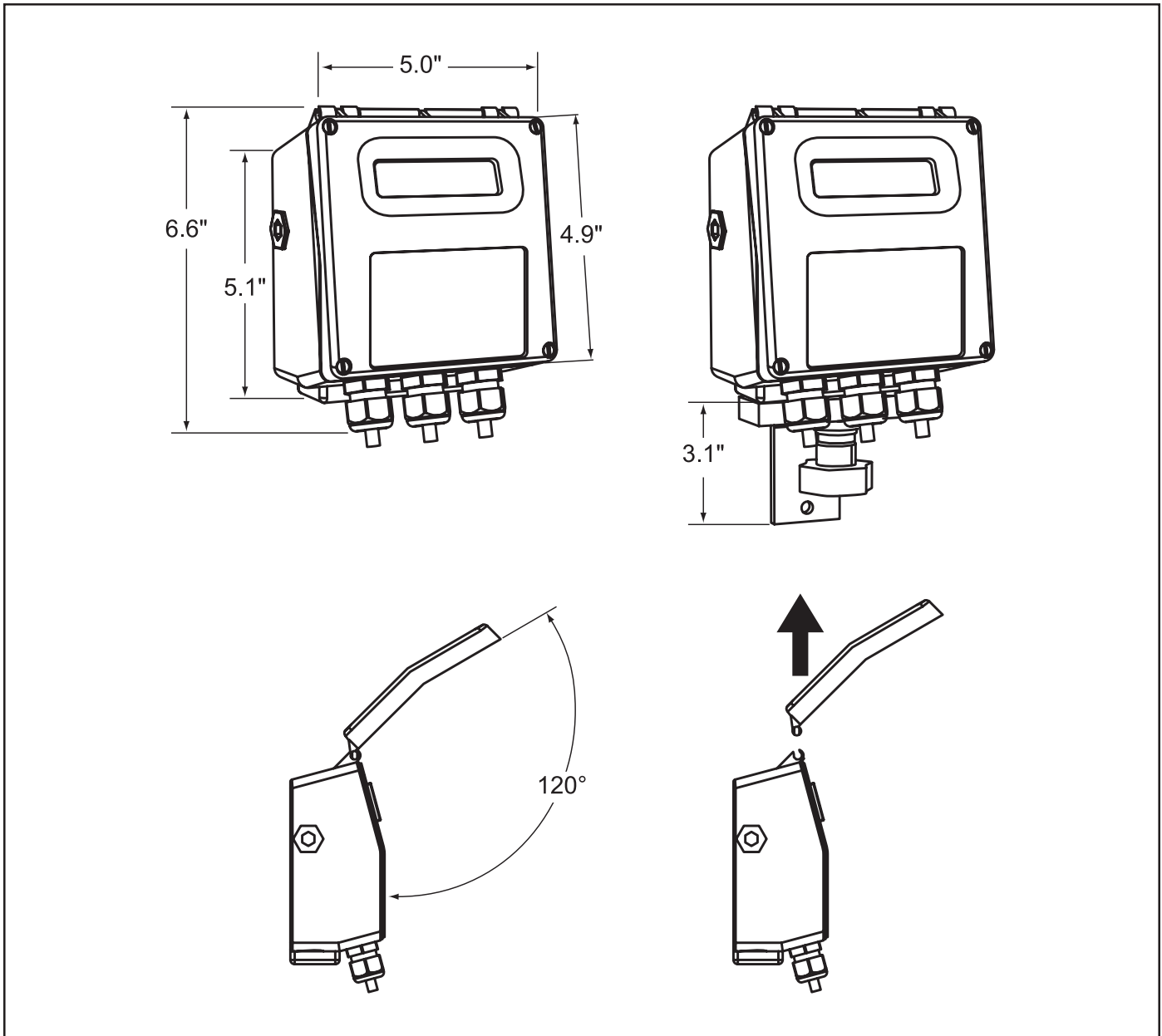


The HML110 Converter is for use with HMS1000, HMS2500 (less than 40"), HMS3700, and HMS3770 series flow sensors. The converter is a programmable, microprocessor-driven unit providing automatic zeroing, EEPROM data protection on loss of power, empty pipe detection, and self diagnostics. The unit has three internal programming keys and is available with an optional two-line (16 character per line) backlit display.



Housing Material	Nylon with glass fiber
Protection Rating	IP65
Temperature Rating	32° to 122°F (0° to 50°C)
Display	Optional 16 character, 2 line
Keyboard	3 internal programming keys
Pulse/Freq Output	1,250 Hz maximum
Current Output	0/4-20 mA
Serial Output	No
Alarm Output	Programmable
Batch Function	No
Bi-Directional Flow	Yes
Empty Pipe Detection	Yes
Programming Input	PC or hand held terminal (HMT200)
Accuracy	±0.8%, (±0.4% optional)
Repeatability	0.2%
Power Supply and Consumption	90-265VAC@ 45-66 HZ, 5VA 10-63 VDC, 3W 15-45 VAC@ 45-66 Hz, 4VA
Sensor Compatibility	HMS501, HMS1000, HMS2410, HMS2500 up to 40" HMS3700, HMS 3770
Panel Mount Option	No

Dimensions



NOTE: Dimensions shown are not for construction use.
Consult factory when certified Engineering Drawings are required.



LIQUID CONTROLS

A Unit of IDEX Corporation
105 Albrecht Drive
Lake Bluff, IL 60044-2242
1.800.458.5262 • 847.295.1050
Fax: 847.295.1057
www.lcmeter.com

© 2005 Liquid Controls
(01/25/05)

