



# Specification Sheet

## HML210 Mag Meter Converter

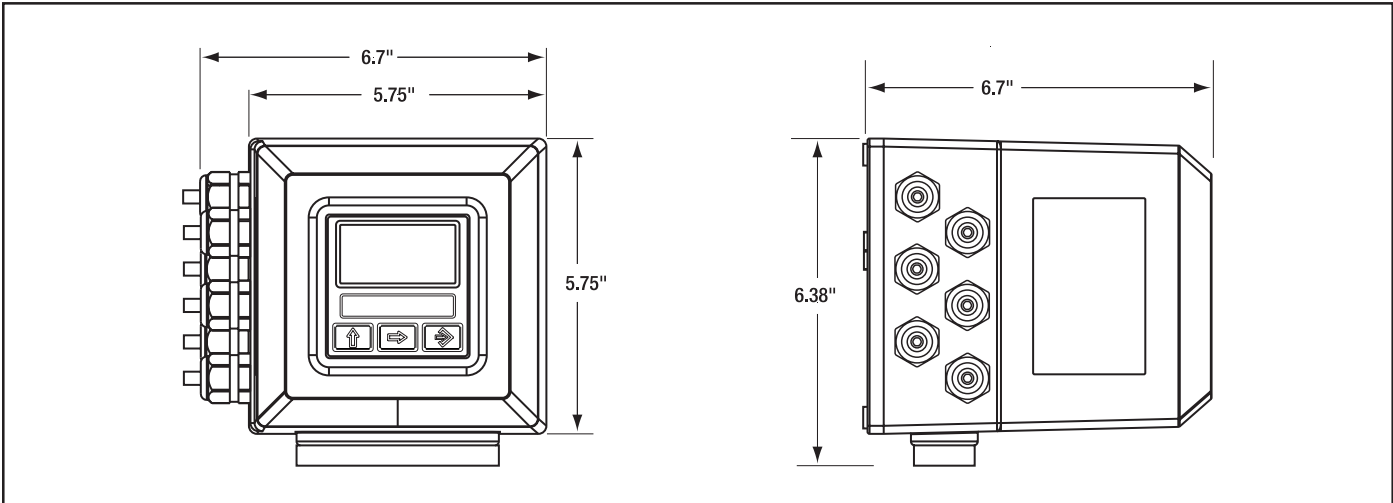


The HML210 Converter is for use with all HMS series flow sensors. The converter is a programmable, microprocessor-driven unit providing automatic zeroing, EEPROM data protection on loss of power, empty pipe detection, and self diagnostics. The display matrix is 128 x 64, 8-line (16 characters per line) with three external membrane programming keys.

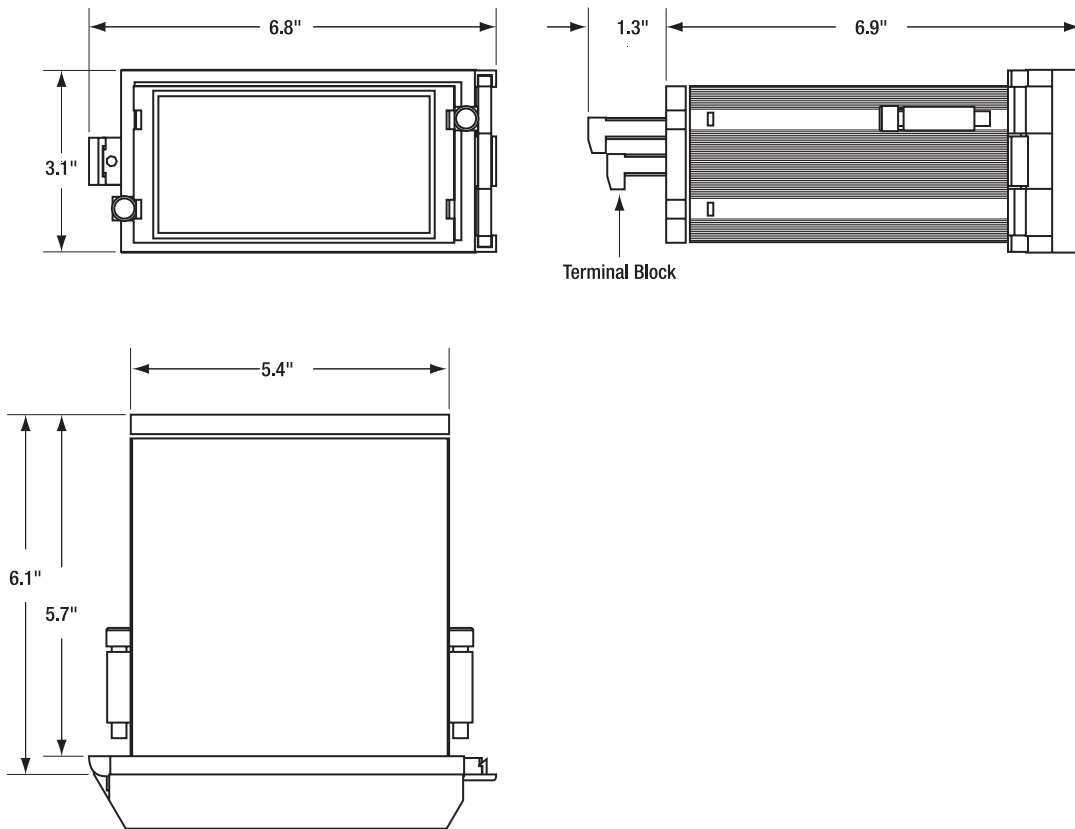


<b>Housing Material</b>	Aluminum (Stainless Steel optional)
<b>Protection Rating</b>	IP67
<b>Temperature Rating</b>	-4° to 140°F (-20° to 60°C)
<b>Display</b>	Optional 16 character, 8 line
<b>Keyboard</b>	3 external programming keys
<b>Pulse/Freq Output</b>	100mA, 40VDC, 1,250 Hz
<b>Current Output</b>	0/4-20 mA
<b>Serial Output</b>	RS485 (RS232 Optional)
<b>Alarm Output</b>	Programmable
<b>Batch Function</b>	Yes
<b>Bi-Directional Flow</b>	Yes
<b>Empty Pipe Detection</b>	Yes
<b>Programming Input</b>	PC or hand held terminal (HMT200)
<b>Accuracy</b>	±0.2%
<b>Repeatability</b>	0.01%
<b>Power Supply and Consumption</b>	90-265VAC@ 45-66 HZ, 25VA 10-63 VDC, 21W 15-45 VAC@ 45-66 Hz, 23VA
<b>Sensor Compatibility</b>	HMS501, HMS1000, HMS2410 HMS2500, HMS3700, HMS3770
<b>Panel Mount Option</b>	Yes

# Dimensions



## Panel Mount Version



**NOTE:** Dimensions shown are not for construction use.  
Consult factory when certified Engineering Drawings are required.



### **LIQUID CONTROLS**

A Unit of IDEX Corporation  
105 Albrecht Drive  
Lake Bluff, IL 60044-2242  
1.800.458.5262 • 847.295.1050  
Fax: 847.295.1057  
www.lcmeter.com

© 2005 Liquid Controls  
(01/25/05)

