



Specification Sheet

HMS1000 Wafer Style Mag Meter



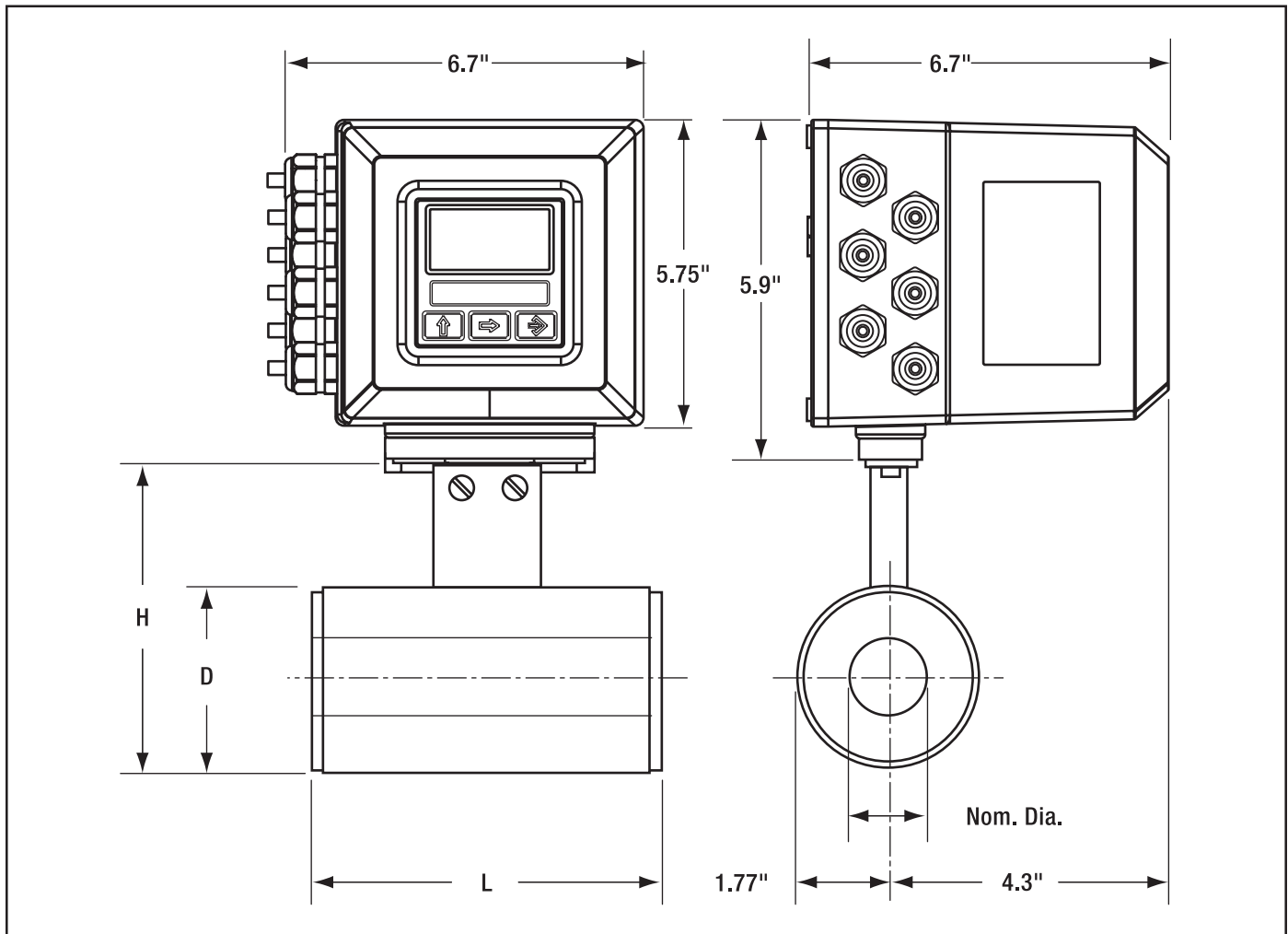
The HMS1000 Wafer style mag meter has been designed for water and waste water applications. The HMS1000 is easy to install between two existing flanges with nominal diameters from 1" to 16" and flow rates from 7.9 to 20,000 GPM (30 to 75,000 L/min). Electrodes are available in 316 Stainless Steel, Hastelloy C, Titanium, Tantalum, and Platinum. Liners are available in PTFE (Teflon), Polypropylene, and Ebonite. Liquid temperature range depends on liner material.

Body Material	Carbon steel
	304 Stainless steel: PTFE (Teflon) lining only
	316 Stainless steel: PTFE (Teflon) lining only
Nominal Diameter	1" to 16"
Working Pressure	225 PSI (16 Bar)
	575 PSI (40 Bar) optional
Process Connection	Wafer
Liquid Temperature	Polypropylene liner: 32° to 140°F (0° to 60°C)
	Ebonite liner: 23° to 176°F (-5° to 80°C)
	PTFE (Teflon) liner: -4° to 212°F (-20° to 100°C)
Lining Material	Polypropylene (sizes 1" to 6")
	Ebonite (sizes 8" to 16")
	PTFE - Teflon (sizes 1" to 16")
Electrode Material	316 stainless steel, Titanium, Hastelloy C
	Tantalum (not with Polypropylene liner)
	Platinum (not with Polypropylene liner)
Protection Rating	IP67 or IP68 depending on configuration
Liquid Conductivity	5µS/cm minimum
Converters	HML110, HML210, HML3-F1



**HMS1000 with
HML110 Converter**

Dimensions



HMS1000 Wafer Style Sensor Dimensions (inches)

Nominal Diameter	1"	1.25"	1.5"	2"	2.5"	3"	4"	5"	6"*
Dimensions L	4	4	4	4	6	6	6	7	7
H	11.4	12.1	12.5	13.1	13.9	14.4	15.6	16.7	17.6
D	2.2	2.4	2.8	3.4	4.3	4.6	5.7	6.8	7.9
Weight (Lbs)	2.6	3.5	4	4.4	7.9	8.4	11	17.2	18.1

* For models larger than 6" (up to 16") contact the factory

NOTE: Dimensions shown are not for construction use.
Consult factory when certified Engineering Drawings are required.



LIQUID CONTROLS
A Unit of IDEX Corporation
105 Albrecht Drive
Lake Bluff, IL 60044-2242
1.800.458.5262 • 847.295.1050
Fax: 847.295.1057
www.lcmeter.com

© 2005 Liquid Controls
(01/25/05)

