



Specification Sheet

HMS2410 Sanitary Style Mag Meter

**LIQUID
CONTROLS**
A Unit of IDEX Corporation



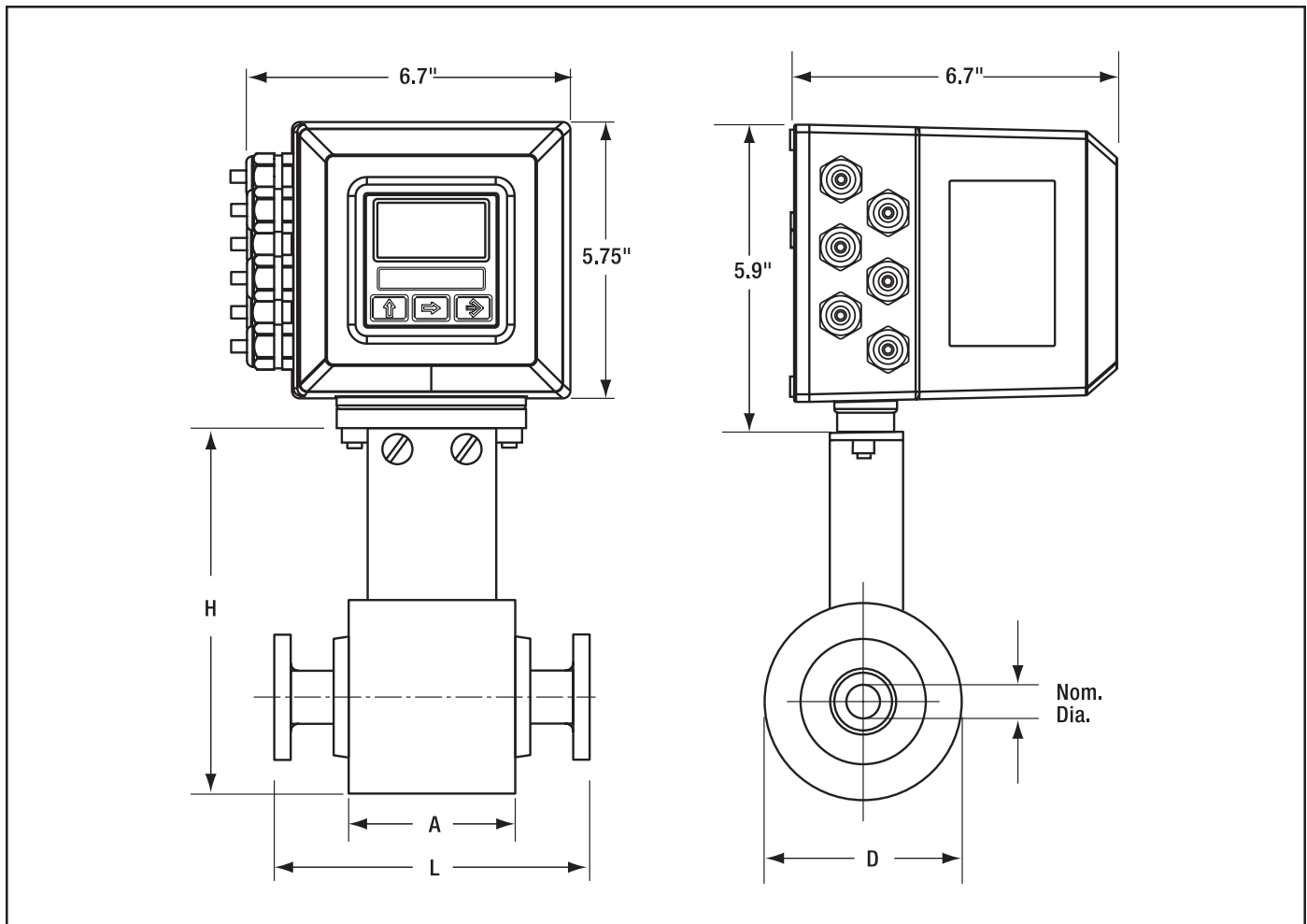
The HMS2410 is an instrument specifically designed for sanitary, food grade applications with nominal diameters from 1" to 4" and flow rates from 8 to 1,200 GPM (30 to 4,667 L/min) with PTFE (Teflon) liners and sanitary connections. These meters are 3A Certified.



HMS2410

Body Material	304 Stainless steel, polished
Nominal Diameter	1" to 4"
Working Pressure	225 PSI (16 Bar) 350 PSI (25 Bar) depending on connection and size
Process Connection	Sanitary clamp, DIN Sanitary, SMS
Liquid Temperature	-4° to 212°F (-20° to 100°C) -4° to 300°F (-20° to 150°C) with remote converter
Lining Material	PTFE (Teflon)
Electrode Material	316 stainless steel
Protection Rating	IP67 or IP68 depending on configuration
Liquid Conductivity	5µS/cm minimum
Converters	HML110, HML210, HML3-F1

Dimensions



HMS2410 Sanitary Style Sensor Dimensions (inches)

Nominal Diameter	1"	1.25"	1.5"	2"	2.5"	3"	4"
Dimensions A	4	4	4	4	4	4	4
L	7	7	7	7	7	7.9	7.9
H	6.7	7.2	7.2	8.2	9.2	9.2	10.2
D	3	3.5	3.5	4.5	5.5	5.5	6.5
Weight (Lbs)	3.9	4.4	4.8	9.7	9.2	13.9	18.7

NOTE: Dimensions and weights shown are not for construction use. Consult factory when certified engineering prints are required.

NOTE: Dimensions shown are not for construction use.
Consult factory when certified Engineering Drawings are required.



LIQUID CONTROLS
 A Unit of IDEX Corporation
 105 Albrecht Drive
 Lake Bluff, IL 60044-2242
 1.800.458.5262 • 847.295.1050
 Fax: 847.295.1057
 www.lcmeter.com

© 2005 Liquid Controls
 (01/25/05)

