



Specification Sheet

HMS3700, 3770 Insertion Style Mag Meter

**LIQUID
CONTROLS**
A Unit of IDEX Corporation

IDEX
IDEX CORPORATION

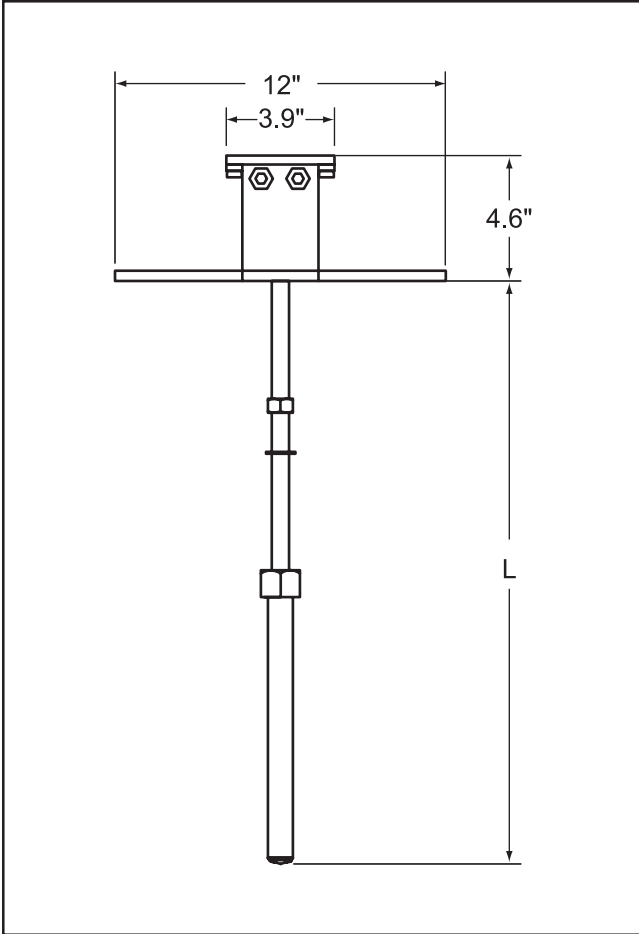
The HMS3700 and HMS3770 models are designed for water and waste water applications. HMS3700 is available with accessories for removal from pressurized lines and is available in three sizes for piping from 10" to 80" in diameter. HMS3770 is for installation in piping which is NOT under pressure and is available in four sizes for piping from 4" to 80" in diameter.

Body Material	304 Stainless steel
Nominal Diameter	1/8" to 3/4"
Working Pressure	225 PSI (16 Bar)
Process Connection	1" Threaded
Liquid Temperature	Nominal 212°F (100°C) 300°F (150°C) with remote converter option B
Lining Material	PTFE (Teflon)
Electrode Material	316 stainless steel
Protection Rating	IP67/68 with integral converter Complete submersion up to 5 feet (IP68) with remote converter option B.
Liquid Conductivity	5µS/cm minimum
Converters	HML110 and HML210

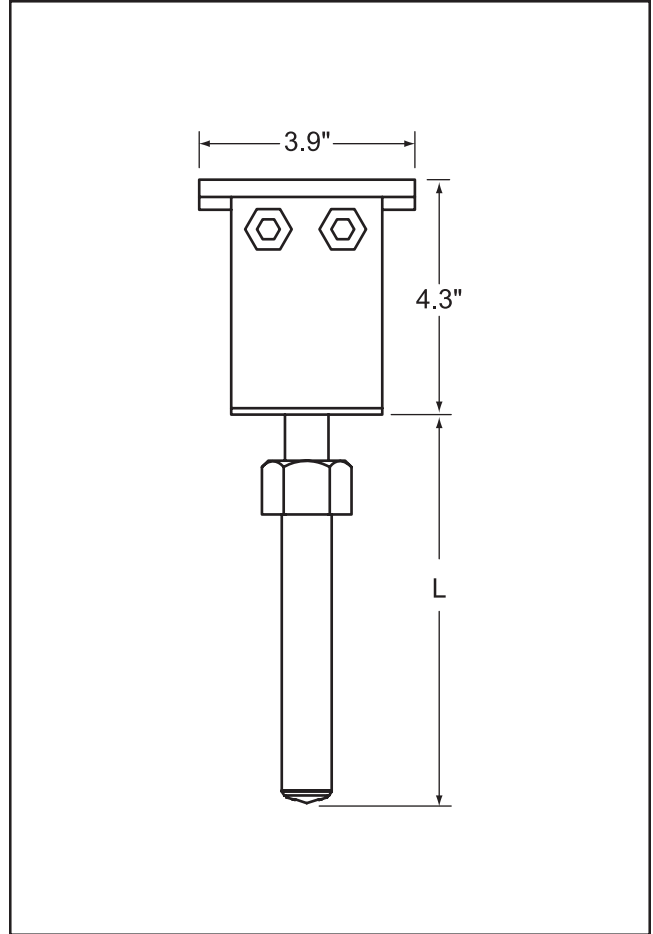


HMS3770

Dimensions



HMS3700 Insertion Sensor



HMS3770 Insertion Sensor

Size	Pipe Diameter	L
1	3" to 20"	19"
2	3" to 40"	24.5"
3	3" to 80"	34.5"

Size	Pipe Diameter	L
1	3" to 20"	7"
2	3" to 40"	9.5"
3	3" to 80"	18"

NOTE: Dimensions shown are not for construction use.
Consult factory when certified Engineering Drawings are required.



LIQUID CONTROLS

A Unit of IDEX Corporation
105 Albrecht Drive
Lake Bluff, IL 60044-2242
1.800.458.5262 • 847.295.1050
Fax: 847.295.1057
www.lcmeter.com

© 2005 Liquid Controls
(2/4/05)

