



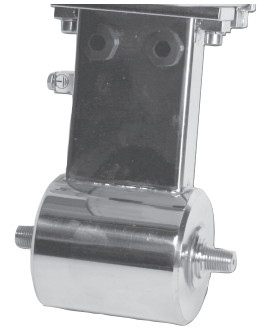
Specification Sheet

HMS501 Micro-flow Mag Meter

**LIQUID
CONTROLS**
A Unit of IDEX Corporation

IDEX
IDEX CORPORATION

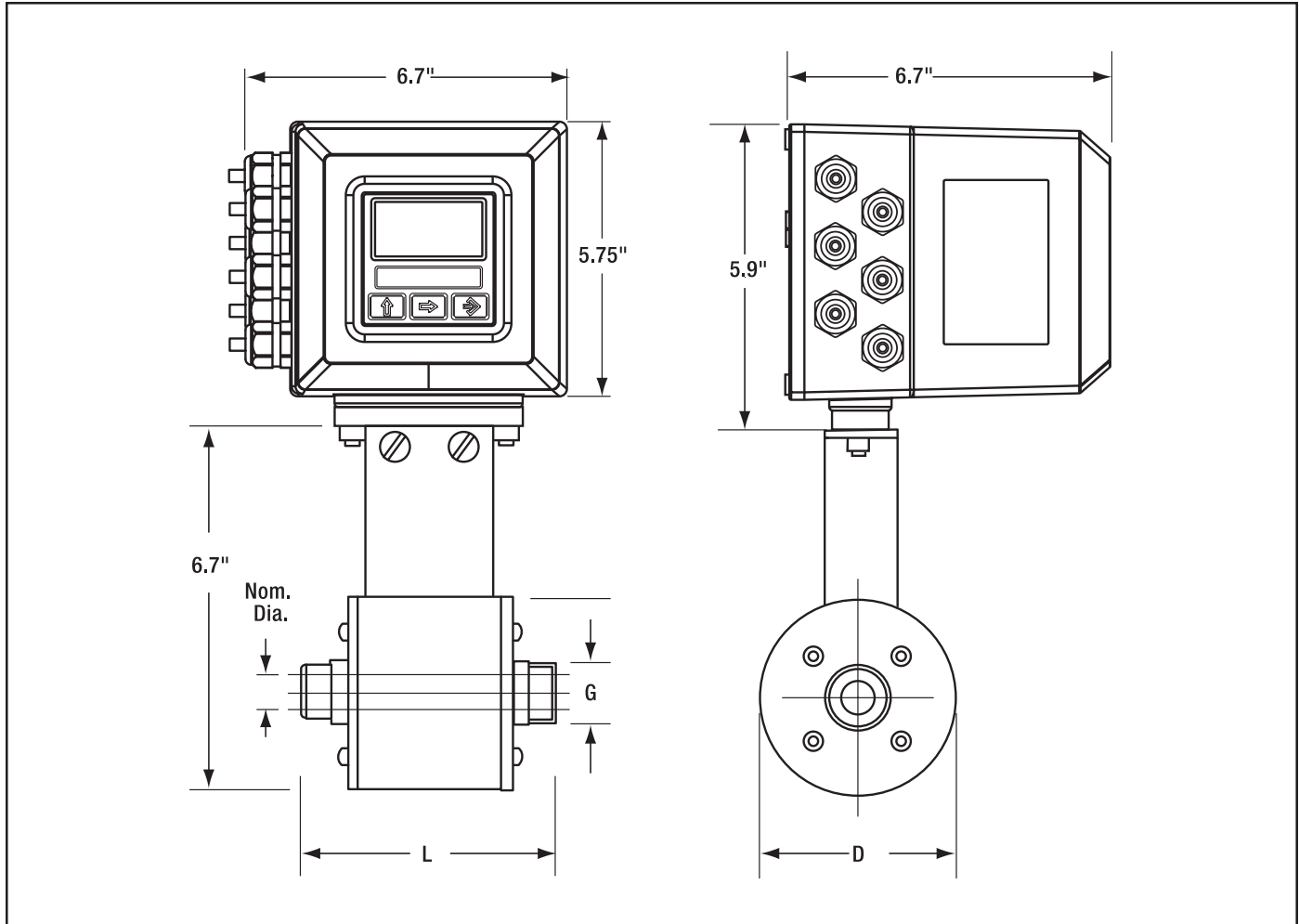
The HMS501 Micro-flow style has been designed for low flow and small volume dosing applications. Perfect for OEM filling machine applications, the Micro-flow is the smallest instrument with nominal diameters from 1/8" to 3/4" and flow rates from .1 to 55 GPM (.4 to 208 L/min). Liquid temperature range is -4° to 212°F (-20° to 100°C). The housing and external connections are manufactured in stainless steel with PTFE (Teflon) liners with the meter having a rating of IP67 or IP68 depending on the configuration.



HMS501

Body Material	304 Stainless steel 316 Stainless steel
Nominal Diameter	1/8" to 3/4"
Working Pressure	225 PSI (16 Bar) 575 PSI (40 Bar) optional
Process Connection	Threaded, Sanitary clamp, ANSI flange DIN Sanitary, SMS, others on request
Liquid Temperature	-4° to 212°F (-20° to 100°C)
Lining Material	PTFE (Teflon)
Electrode Material	316 stainless steel, Titanium, Hastelloy C, Tantalum, Platinum
Protection Rating	IP67 or IP68 depending on configuration
Liquid Conductivity	5µS/cm minimum
Converters	HML110, HML210, HML3-F1

Dimensions



HMS501 Micro-flow Sensor Dimensions (inches)

Nominal Diameter	1/8"	1/4"	3/8"	1/2"	3/4"
Dimensions L	5	5	5	5	6
H	3	3	3	3	3
G	1/4	3/8	1/2	3/4	1
Weight (Lbs)	7	7	7	7	7

NOTE: Dimensions shown are not for construction use.
Consult factory when certified Engineering Drawings are required.



LIQUID CONTROLS
 A Unit of IDEX Corporation
 105 Albrecht Drive
 Lake Bluff, IL 60044-2242
 1.800.458.5262 • 847.295.1050
 Fax: 847.295.1057
 www.lcmeter.com

© 2005 Liquid Controls
(01/25/05)

