



Specification Sheet

HMS600 Micro-Flow Style Mag Meter (Polypropylene)



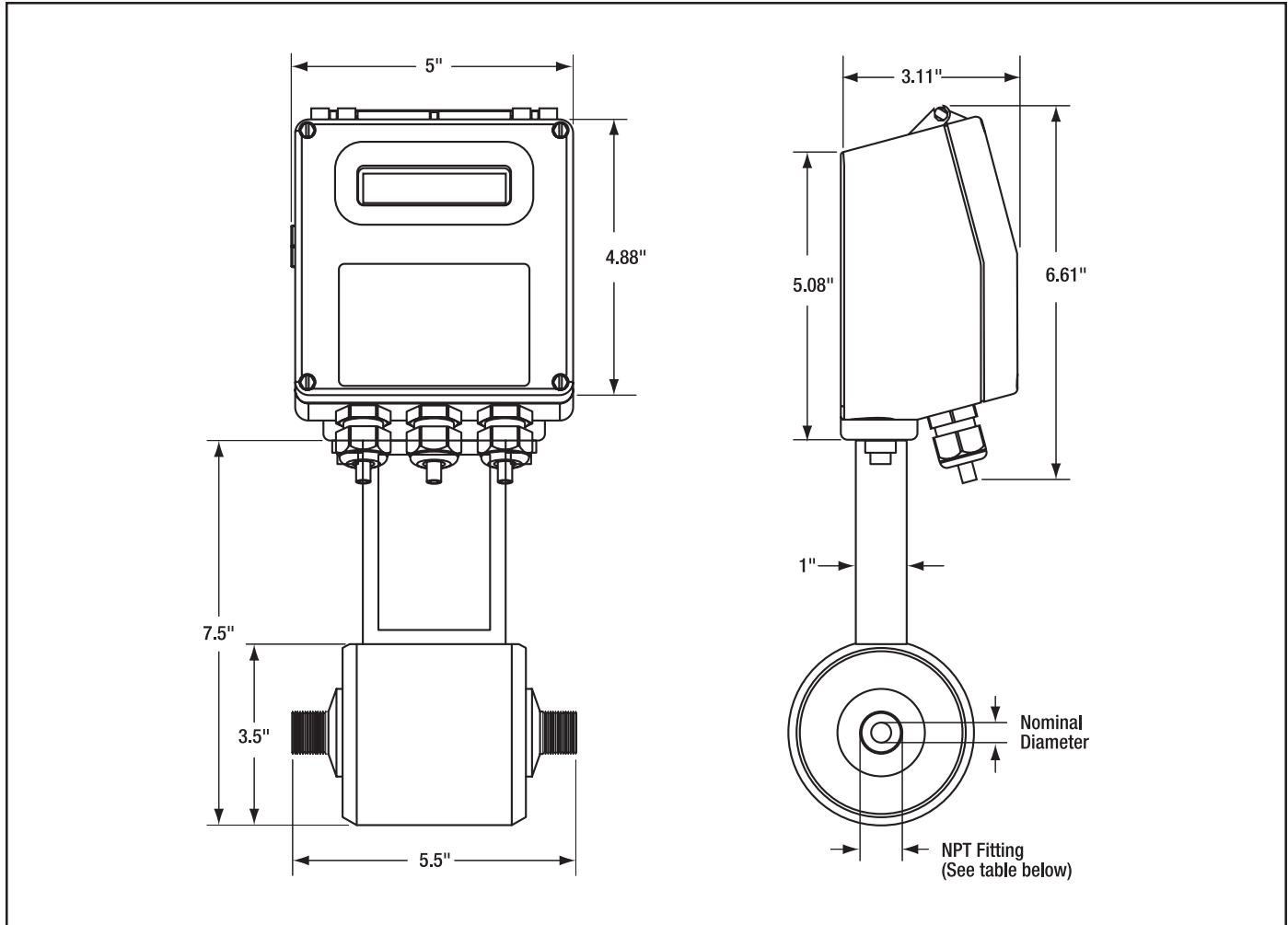
The HMS600 Micro-flow style mag meter is designed for low flow and small volume dosing applications. The HMS600 Micro-flow is available with nominal diameters from 1/8" to 3/4" and flow rates from .1 to 55 GPM (.4 to 208 L/min). Liquid temperature range is 32° to 140°F (0° to 60°C). The housing and external connections are manufactured in polypropylene with a polypropylene liner. The meter has a rating of IP67 or IP68 depending on the configuration.



HMS600

Body Material	Polypropylene
Nominal Diameter	1/8" to 3/4"
Working Pressure	85 PSI (6 Bar)
Process Connection	NPT Threaded
Liquid Temperature	32° to 140°F (0° to 60°C)
Lining Material	Polypropylene
Gasket Material	FPM EPDM
Electrode Material	316L Stainless Steel, Titanium, Hastelloy C, Platinum, and Tantalum
Protection Rating	IP67 or IP68 depending on configuration
Liquid Conductivity	5µS/cm minimum
Converters	HML110, HML210, HML250, and HML3-F1

Dimensions



HMS600 Micro-Flow Polypropylene Sensor Dimensions (inches)					
Nominal Diameter	1/8"	1/4"	3/8"	1/2"	3/4"
Dimensions NPT Fitting	1/4"	3/8"	1/2"	3/4"	1"
Weight (Lbs)	3.1	3.1	3.1	3.1	3.1

NOTE: Dimensions shown are not for construction use.
Consult factory when certified Engineering Drawings are required.



LIQUID CONTROLS

A Unit of IDEX Corporation
105 Albrecht Drive
Lake Bluff, IL 60044-2242
1.800.458.5262 • 847.295.1050
Fax: 847.295.1057
www.lcmeter.com

© 2005 Liquid Controls
(03/31/05)

