

Weighbeam DWB 0,5 ... 5t



- Easy and economic mounting by permanent bolting to the connecting structure
- Transmission of extreme interfering forces and moments with minimal effects on measurement values
- Very low headroom

Application

- Platform scale
- Hopper scale
- Luggage scale
- Belt weighers

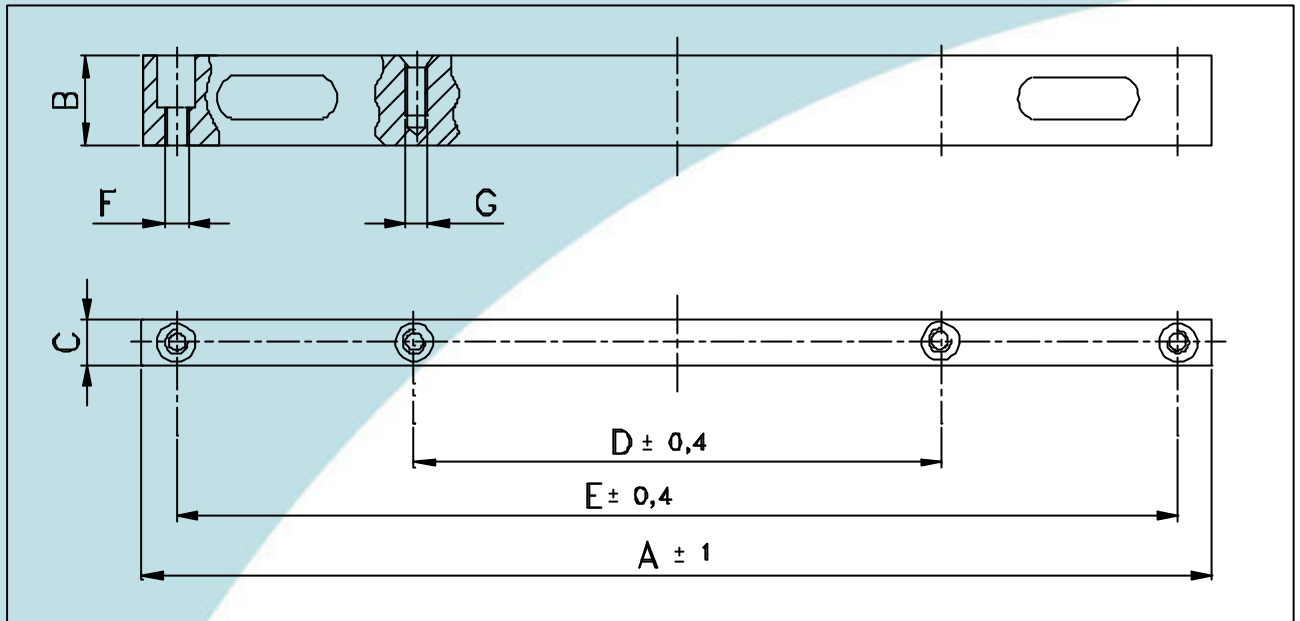
Construction

- Low-profile, compact design
- Electro-galvanized surface
- Two bearing points
- Protected to IP 67

Function

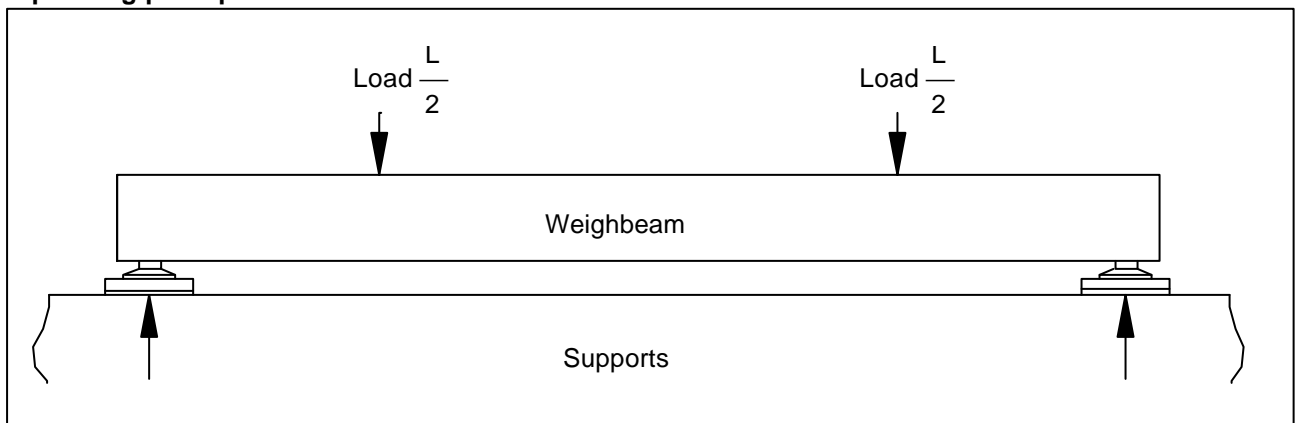
- High dependability and availability, even in case of frequently unavoidable shock loads, reactive forces or electrical interferences
- No additional tie-rods or hold-downs required
- Stiffening effect when installed in platform scales

Mounting dimensions



Typ	A mm	B mm	C mm	D mm	E mm	F	G
DWB 0.5 t	486	39	20	240	462	M10x15	M10x20
DWB 1 t	486	39	20	240	462	M10x15	M10x20
DWB 5 t	496	65	40	240	470	M16x32	M12x25
DWB 5 t long	919 ± 3	65	40 ± 2.5	660	890	M16x32	M12x25

Operating principle



Technical Data

		DWB 0.5 t	DWB 1 t	DWB 5 t	DWB 5 t long	Reference
Rated capacity	L_n	0.5 t	1 t	5 t	5 t	
Limit load	L_l	1 t	2 t	10 t	10 t	
Rupture load	L_d	2 t	4 t	20 t	20 t	
Nominal characteristic value	C_n	1.25 mV/V	1.1 mV/V	1.0 mV/V	1.0 mV/V	L_n
Combined error	F_{comb}	± 0.2 %				C_n
Creep error (30 min)	F_{cr}	± 0.05 %				C_n
Input resistance	R_e	378 S				T_r
Output resistance	R_a	350 S				T_r
Ref. supply voltage	U_{sref}	10V				
Max. supply voltage	U_{smax}	18V				
Nominal temperature range	B_{tn}	- 10°C to + 40°C				
Service temperature range	B_{tu}	- 10°C to + 80°C				
Reference temperature	T_r	+ 22°C				
Storage temperature range	B_{ts}	- 30°C to + 85°C				
Temperature coefficient of zero value	TK_o	± 0.2% / 10K				C_n in B_{tu}
Temperature coefficient of characteristic value	TK_c	± 0.07% / 10K				
Dead weight	m_e	3 kg	3 kg	10 kg	18 kg	
Surface		electro-galvanized				
Protection class		IP 67				
Cable specification		silicon RAL 7000 (grey) 2 x Ø 6.5 mm x 5 m – 30°C to + 150°C				

Variants

Type	Order No.
DWB 0.5 t	D 511 277.01
DWB 1 t	D 507 699.01
DWB 5 t	D 507 728.01
DWB 5 t long	D 703 627.03

Accessories

Type	Order No.
Elastomer feet for DWB 5 t and DWB 5 t long	
Ø 65 mm x 22 mm	6250.340
Ø 76 mm x 24 mm	6250.341



Measuring and Process Systems
SCHENCK PROCESS GmbH
D-64273 Darmstadt
Phone: +49 (0) 61 51-32 10 28
Fax: +49 (0) 61 51-32 11 72
E-Mail: sales2.process@schenck.net
www.schenck-process.net

The  Group

Keep in Motion _____